

# velté

BI-FOLD DOOR HANDLE

The handle on this bifold door is contemporary, sleek, and minimalist. For a clean, seamless appearance, the handle is mounted with hidden screws. Perfect for any home, these elegant handles adds to the aesthetic of the bi-fold door.



# veltè

BI-FOLD DOOR HANDLE

Designed for intermediate locking panels on bi-fold doors. The screws are hidden by aesthetic plate that has a clean seamless look and it also boasts extra security with an anti-rotating innovation. The handle end does not protrude outside its own width when turned, thus avoiding any damage to the opposite panel when stacked.

There are three options available to meet different needs.

The handle is suitable for most intermediate bi-fold door handles that need replacing or upgrading.

## Features & Benefits

- Sleek Modern style handle
- Option with integrated Cylinder for DBLK-10 lock
- Integrated Security Innovation – Anti-rotating
- No visible screws
- Designed for intermediate panels on bi-fold
- Option for back plate with an escutcheon for 18mm Euro profile cylinder (For DBLK-02, DBLK-05 and DBLK-06 locks)
- Handle tilts outwards for easy operation and flat when not operating
- Constructed from zinc die cast and steel spindle
- Fits on gearboxes/shoot bolt locks with 7mm spindle & 43 screw centres  
See Example: Debar Robus locks



## Available Finishes



Matt Black



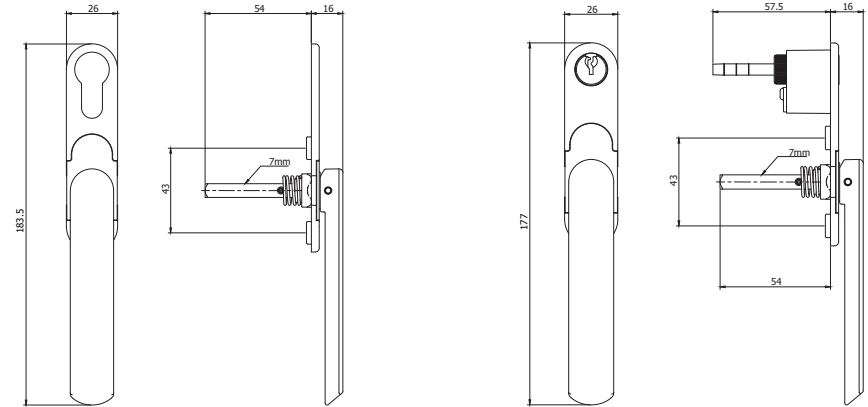
Matt Grey



White Gloss

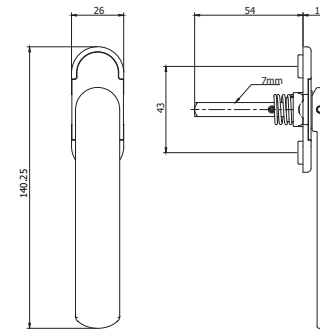
Special orders available: Alternative finishes & your logo printed on handle

## Technical Specifications



With escutcheon

With integrated lock



Without escutcheon