

protec

MECHANICAL DOOR HOLDER

The attractive, practical solution to stabilising heavy duty bi-fold doors



protec

MECHANICAL DOOR HOLDER

Designed specifically for the Bi-folding door, the Protec Door Holders are intended to offer an important technical solution while being aesthetically pleasing and minimising its visual impact. Our mechanical door holders allow you to connect the swing/pass door to the adjacent panel, allowing it to stay in an open position and creating a stable set of doors when all panels move and are stacked.

The Protec Door Holder has a wide range of benefits when installed:

- Stabilises doors while folding
- Stability reduces undue pressure on the hardware
- Extends the longevity of the doors
- Increases safety of the door
- Holds doors back when open
- Accommodates various handle sizes
- Ease of Use
- Visually minimalistic

Features

- 3 x Stronger than the Magnetic Door Holder
- Adjustable Locking Strength
- Central fixing point with an additional anti-rotation grub screw
- Backplate design allows for rivet nut fixing if required, Ideal for chamber systems
- Engineered from die cast Zinc with Stainless Steel locaters
- Full instructions are included with each item along with a fixing pack

Ideal for heavy duty doors. For light to meadium duty doors please see our Magnetic Door Holder

Available Finishes



Matt Black

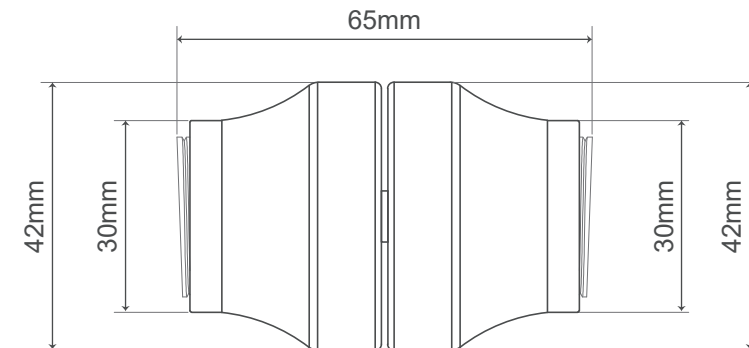


Matt Grey



White Gloss

Technical Specifications



Code DBPC-03

